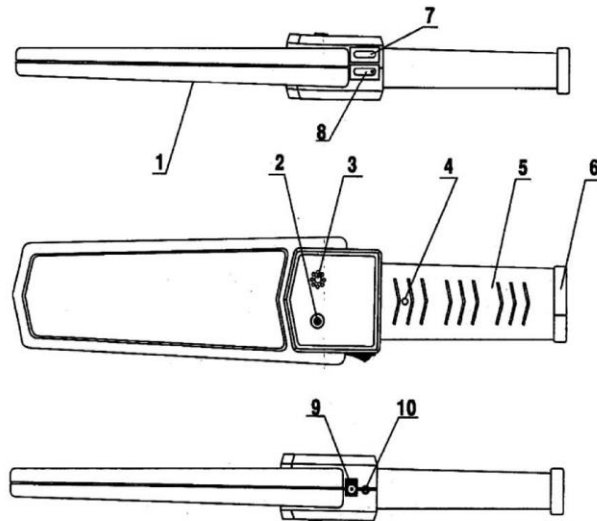


Hand-held high and low sensitivity optional metal detector

MD-3003B1 manual

1. Schematic diagram of structure



- 1) Detection
- 2) LED (Green/ Red Color)
- 3) Audio Alert
- 4) Sensitivity Adjuster (Take off the holster)
- 5) Handle
- 6) Battery Lid
- 7) Low Sensitivity Switch
- 8) On/Off Switch
- 9) Rechargeable Battery Socket
- 10) Sound, vibration switch

2. Function

- 1) As electronic device examined in airport, station and boatyard.
- 2) The security check of Customs, police, immigration and guard departments.
- 3) As quality check in the system of commercial of medicine and food.
- 4) The security check of important site and sport field.
- 5) Precious metals check, such as gold and silver factory

3. Distance of detection

- | | |
|---------------------------|-------|
| 1) pin | 10mm |
| 2) 6 inch spanner | 120mm |
| 3) ϕ 20mm steel ball | 70mm |

4. Feature

- 1) High sensitivity, low power consumption (standby current of about 6mA).
- 2) Using MCU automatic calibration, easy to use, no need to adjust.
- 3) Two warning ways (sound or vibration) for your choose.
- 4) Automatic continuous sound or vibration alert when low battery.
- 5) The alert function of turn on, turn off sound or vibration.
- 6) The two choices of high or low sensitivity.
- 7) External charging jack.
- 8) When battery power is lower than 7.6V, the green light will flicker.

5. Replace the battery installed

- 1) With the thumb back in the groove and open the battery back lid.
- 2) Install 6F22 (9V) battery into the battery box, defaulted battery type is non-rechargeable battery.
- 3) Cover the battery lid, and push forward in tight.

6. Application Method

1) Keep detector away from metal objects, turn on power switch (8). There is "dada" sound or vibrate twice, red indication light turn to green, then automatic calibration is completed, ready for use. If detector shows red light or sound/vibrate non-stop, detector fail calibration; keep it away from metals, and open again. When green light is not on, battery is not installed or the battery connection is bad; if there is continuous sound/vibration, no sound or green light blinks, battery should be replaced by new one.

2) Sound, vibration switch: press the red button switch (10), alarm way is vibration. Release the red button switch (10), alarm way is sound.

3) After power on, you can begin high-sensitivity test. Hold the handle and probe the surface around detected object. If there is metal, detector will sound or vibrate, the green light turn into red; Stop scanning, sound or vibration stops, the red light turn into green.

4) Low sensitivity test: If you need to exclude small metal objects, hold the low sensitivity switch (7) during detection.

Now the sensitivity is reduced by more than 5 times, so detected item is generally large metal object.

7. Sensitivity Adjustment

Due to the design of smart chips, turn off the power supply, then restart, sensitivity re-adjustment is completed.

8. Notes

- 1) Do not forget to power off after use.
- 2) Take out battery in case of long-term non-use.
- 3) No sound or vibration when the probe is fixed to metal; Sound or vibrate only when metal is scanned.
- 4) Turn off the power switch (8) when charging. Standard accessory is a non-rechargeable battery. Never charge a non-rechargeable battery.
- 5) Charger voltage: DC 10V (with chargers)
- 6) Charger voltage: DV 10V (rechargeable battery and charge are bought at extra cost).