



## Photoelectric Smoke Detector with Hush Feature

Order ref: 350.126UK

User Manual

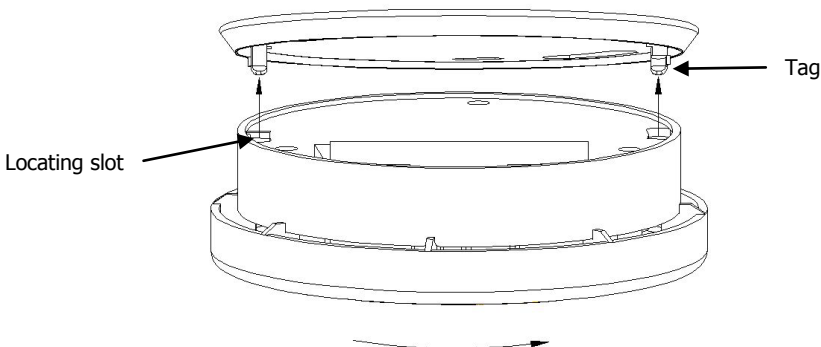
This unit detects initial smoke formation with its sensitive photoelectric system and signal processing circuit giving an alarm signal as an early warning. Photoelectric alarms are less likely to trigger a false alarm from Kitchen or bathroom steam than traditional ionization alarms. This model also has hush feature to reduce the unit's sensitivity for a ten minute period when needed.

### Specification:

Battery	1 x 9V PP3 (supplied)
Alarm output	85dB/3m
Operation temperature	-10°C ~+40°C
Quiescent current	≤12μA
Dimensions	34 x 101mmØ
Weight	136g (with battery)

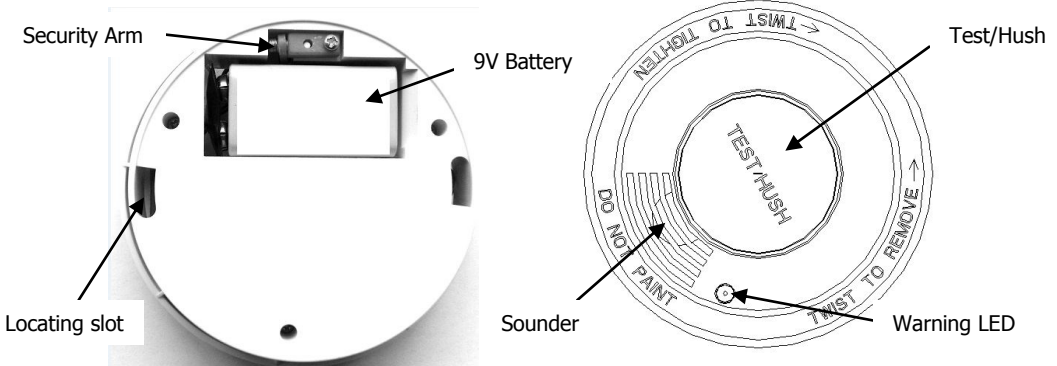
### Installation:

1. Choose an appropriate position to install the alarm on a ceiling away from obstructions.
2. Use the screws and plugs provided to secure the installation panel securely to the ceiling.
3. Align the 2 locating slots in the smoke detector with the 2 tags on the installation panel and rotate it clockwise until it locks into position.



### Testing and usage:

1. Turn the smoke detector anti-clockwise to remove it from the installation panel.
2. Install the 9V battery supplied and ensure it's clipped behind the red security arm at the side of the panel.



3. Align the 2 locating slots in the smoke detector with the 2 tags on the installation panel and rotate it clockwise until it locks into position.
4. Depress and hold the test/hush button to check the alarm and warning LED are functioning correctly. After testing the LED will flash every 10 seconds to inform you the unit is in hush mode. After around 10 mins the LED will flash every 40 seconds which indicates the unit is now in standard operating mode. To enter the hush mode at any time press and hold the button until the alarm is sounded and the LED flashes every 10 seconds.

**Please note:**

- No user serviceable parts inside. The only replaceable part is the battery.
- Test the alarm weekly and every time the battery is replaced.
- When the battery power is low an intermittent beep will sound to indicate it needs replacing.
- Do not use in dusty and smoky environments.
- Keep out of the reach of children.
- Any repairs should be carried out by qualified personnel.
- Please retain this manual for future reference.



13  
1134  
1134-CPR-124  
EN14604:2005/AC:2008  
Photoelectric Smoke Detector  
350.126UK-001

Intended for Fire Safety and installed in buildings

Essential characteristic 1: Pass  
Essential characteristic 2: Pass  
Essential characteristic 3: Pass  
Essential characteristic 4: Pass  
Essential characteristic 5: Pass  
Essential characteristic 6: Pass  
Essential characteristic 7: Pass  
Essential characteristic 8: Pass

This product is classed as Electrical or Electronic equipment and should not be disposed with other household or commercial waste at the end of its useful life. The goods must be disposed of according to your local council guidelines.

*Errors and omissions excepted.  
Copyright© 2016. AVSL Group Ltd.*