



2.4GHz Wireless Door Phone

Order ref: 350.001UK

User Manual

This wireless door phone system allows you to talk to your visitors before opening the door. No wires are required between the external and internal units, making this system very easy to install, and a range of up to 150m makes this useful for security and helpful for the elderly or less mobile.

Features:

- Easy to install; no wiring required
- Battery operated IP44 rated external unit with low power consumption
- Battery back-up feature on internal unit
- Wireless range up to 150m (clear sight)
- Adjustable ringer volume

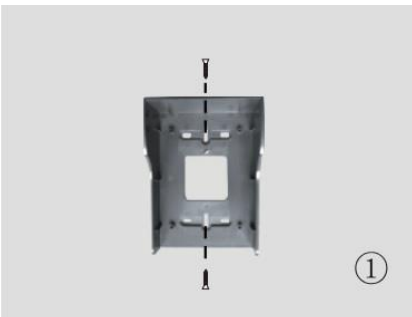
In the box:

- IP44 rated external call unit
- Internal handset & cradle
- Internal handset PSU
- Fixing kit
- User guide

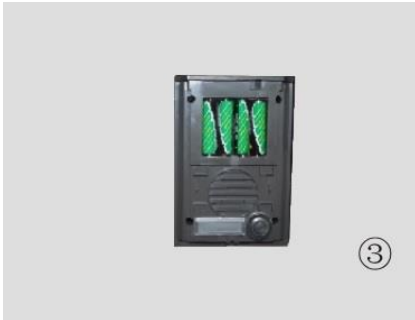
Installation:

External Call Unit

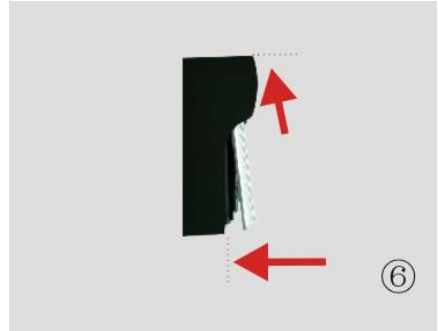
1. Fasten the rain shade on the wall 1.4~1.7m above the ground.
2. Remove the screw from the bottom of the external unit and remove the bottom plate.



3. Remove the silver cover and install 4 x AA batteries (not supplied) paying attention to the polarity indicators within the battery compartment.
4. Remove the name card cover and complete the card as required ie. name, room number, etc.



5. Attach the unit to the rain shade.
6. Replace the cover.



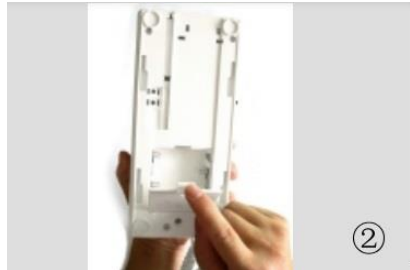
7. Replace the bottom plate.



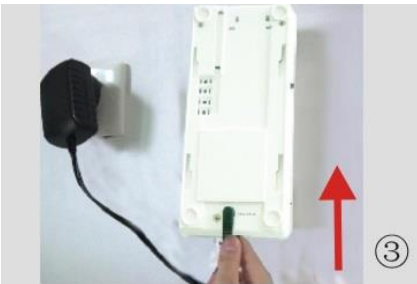
Internal Handset

Ensure that there is a power outlet within reach of the handset and its power supply.

1. Remove the cradle from the rear of the handset and attach to the wall.
2. Open the battery cover, install 4 x AA batteries (not supplied) and replace the cover.



3. Insert the power supply jack into the socket on the rear of the handset.
4. Hook the handset onto the cradle.



5. Plug the power supply into a power outlet and switch it on. The handset will beep.

The system is now ready for use.

Operation:

In standby mode, the handset LED will blink every 3 seconds.

When the call button is pressed on the external unit, the handset will chime twice and the LED will change from blinking to steady.

The external unit will also sound intermittently for approximately one minute or until the handset is picked up to receive the call.

Lift the handset to speak to the caller.

At the end of the call replace the handset ensuring that it is secure in its cradle. Both units will beep.

If left unanswered, both units will beep after one minute and the system will return to standby mode.

The handset LED will blink rapidly for 10 minutes to indicate that the call button has been pressed after which time it will return to one blink every 3 seconds.

With good quality batteries installed in the handset, the system will operate for several hours during a mains failure.

Please note that the handset is not capable of recharging batteries and only dry cells should be used.

System alerts:

A steady red LED on the handset at all times indicates that the batteries should be replaced.

If the units are out of range or the handset is dead, the external unit will beep four times when the call button is pressed.

Specification:

Frequency	2.4GHz
Range	Up to 150m
IP Rating	IP44 (External unit only)
Power: External Unit	4 x AA batteries (not supplied)
Power: Handset	PSU 12VDC 500mA
Back-up power: Handset	4 x AA batteries (not supplied)
Dimensions: External Unit	104mm x 162mm x 70mm
Dimensions: Handset	215mm x 99mm x 72mm
Weight: External Unit	350g
Weight: Handset	468g

Warning:

- For reasons of electrical safety, this device must never be immersed in water, exposed to damp conditions or excessive force.
- Do not use this device if you find that it is damaged in any way.
- Do not attempt to repair this device or take apart under any circumstances, as this will invalidate your warranty.



This product is classed as Electrical or Electronic equipment and should not be disposed with other household or commercial waste at the end of its useful life. The goods must be disposed of according to your local council guidelines.

Errors and omissions excepted.

*Copyright© 2020 AVSL Group Ltd, Unit 2 Bridgewater Park,
Taylor Road, Trafford Park, Manchester. M41 7JQ.*

*AVSL (Europe) Ltd, Unit 3D North Point House,
North Point Bus. Park, New Mallow Road, Cork, Ireland.*