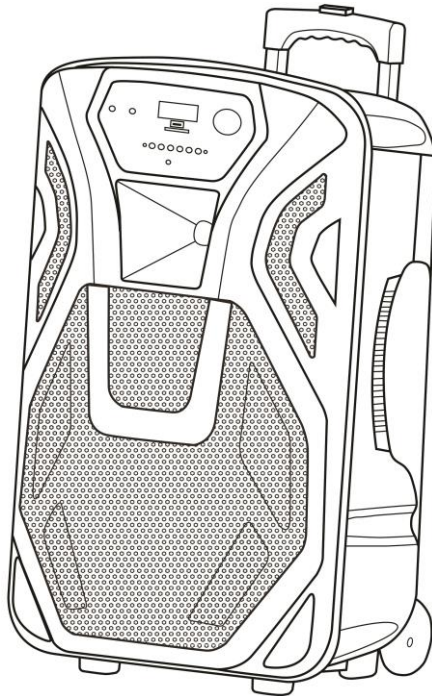


BUSKER-10

Portable PA Unit

Order ref: BUSKER-10 (178.864UK)

User Manual



VERSION 1.2



Caution: Please read this manual carefully before operating
Damage caused by misuse is not covered by the warranty

Introduction

Thank you for choosing a Busker-10 portable PA unit. This versatile portable PA unit is packed with features in a compact, manageable enclosure and is suitable for a wide array of applications ranging from public address for presentations to outdoor karaoke.

Package Contents

Please check the contents to ensure that the product has been received in good condition. If you find any accessory is missing or the product has arrived with any problems, please contact your retailer at once.

- Busker-10 portable PA unit
- VHF handheld microphone
- IEC power lead(s)

This product contains no user-serviceable parts so make no attempt to try to fix or modify this item yourself as this will invalidate the warranty. We recommend you keep the original package and proof of purchase for any possible replacement or returned demand.

Warning

To prevent the risk of fire or electric shock, do not expose this appliance to rain or moisture. To prevent electric shock do not remove the cover. No user serviceable parts inside. Refer servicing to qualified service personnel.

Safety

Prior to connecting mains, check the supply voltage is correct and the IEC mains lead is OK. Avoid ingress of water or particles into the enclosure.

If the internal IEC fuse blows, refer the unit to qualified service personnel

If the VHF microphone is to be unused for a long period of time, remove the batteries.

Placement

Keep the unit out of direct sunlight and away from heat sources.

Place the unit in an upright position during use and storage.

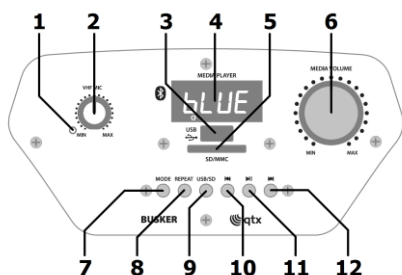
Keep the unit away from moisture or dusty environments.

Cleaning

Use a soft cloth with a neutral detergent to clean the cabinet, panel and controls.

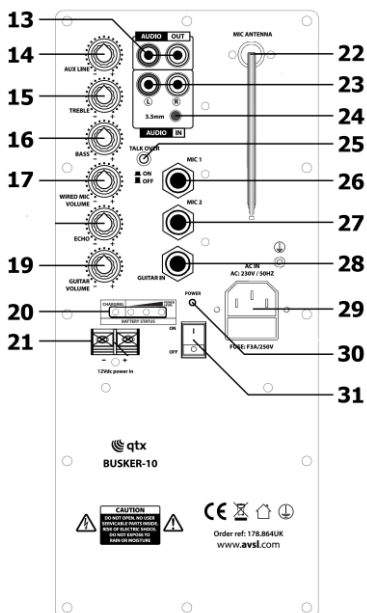
To avoid damage, do not use solvents to clean this equipment.

Front Panel



- 1 VHF microphone indicator
- 2 VHF MIC volume
- 3 USB port
- 4 LED display
- 5 SD/MMC card slot
- 6 USB/SD/FM/Bluetooth volume
- 7 Media player Mode select
- 8 Playback Repeat mode select
- 9 USB/SD memory device select
- 10 Previous track (hold seek reverse)
- 11 Play/Pause
- 12 Next track (hold seek forward)

Rear Panel



- 13 Line output L+R RCA
- 14 AUX/Line input volume
- 15 Treble EQ control
- 16 Bass EQ control
- 17 Wired mics volume
- 18 Echo level
- 19 Guitar input volume
- 20 Battery charging & level LEDs
- 21 D.C. power input terminals
- 22 VHF microphone antenna
- 23 Line input L+R RCA
- 24 Line input stereo 3.5mm jack
- 25 Microphone talk-over select
- 26 Microphone 1 input jack
- 27 Microphone 2 input jack
- 28 Guitar input jack
- 29 IEC mains inlet & fuse
- 30 Power indicator LED
- 31 Power on/off switch

Powering up

Your new Busker-10 portable PA unit may arrive with you with the internal battery charged.

Before connecting to the mains, turn down all volume controls and switch the unit on (31) and see if the power LED lights (30). If not, you will need to charge the battery before use away from mains power.

Connect the Busker-10 unit to the mains using the appropriate IEC power lead supplied (29).

When not in use but connected to the mains, if the POWER switch is in the OFF position, the internal battery will be re-charged from the mains supply, indicated by a CHARGING LED (20) which lights when charging.

Note: it is recommended to store the PA unit at an ambient temperature and not with the battery fully discharged.

You may otherwise opt to connect the DC input at the rear (21) to an external 12-15Vdc supply (e.g car battery) or use the internal battery if charged.

When powered up, BASS and TREBLE controls (16, 15) should remain pointing vertically (i.e. 12-o-clock position). Turn up the AUX/LINE VOLUME control (14) part way and switch TALKOVER (25) off.

Your Busker-10 unit should now be ready to operate.

VHF Wireless Microphone

Extend the VHF antenna (22) at the rear of the unit. Insert batteries into the handheld microphone by carefully unscrewing the base and connecting the "+" and "-" terminals of the batteries to the corresponding contacts inside the mic body, taking care to observe the correct polarity. Turn the VHF MIC control (2) up part way for checking.

Switch on the wireless mic and the signal indicator LED (1) on the front of the unit should light as a result. If the LED on the transmitter lights dimly, change the battery. Gradually increase the VHF VOL control, testing the microphone for output through the speaker.

Take care not to incur "feedback" (howling or screeching sound through the speaker) by keeping the microphone a sensible distance from the speaker and pointing away from the speaker so that it doesn't *hear* the speaker output.

Turning the ECHO control (18) clockwise adds an echo function for singing or special effects.

The BASS or TREBLE tone of the RCA and Guitar inputs can be cut by turning the relevant control anti-clockwise or boosted by turning clockwise.

When not in use, switch the wireless microphones off and remove batteries if not being used for long periods.

External Inputs

In addition to the Busker-10's own VHF microphone, two 6.3mm jack inputs (26, 27) are provided to connect external wired or wireless microphones, which are both governed by the WIRED MIC VOLUME control (17). If required, the music level can be automatically muted when speaking into a microphone by switching in the TALKOVER feature on (25)

A further 6.3mm jack input is provided for an electric or electro-acoustic guitar (28)

Also, twin RCA (23) and 3.5mm stereo jack input (24) are provided for line input sources such as a CD player or smart phone. These are both independent of the media player.

Adjacent to the twin RCA input is a twin RCA line output carrying the overall main mix (13). This can be fed on to further active speakers or portable PA units via a twin RCA lead.

Internal media player

Each Busker-10 portable PA unit has an internal media player for digital audio playback from USB or SD/MMC media, FM tuner or via Bluetooth.

Press 'Mode' (7) to select the function you require - USB, SD, FM radio (89-107) or Bluetooth.

USB – Use this mode for both USB and SD/MMC cards

FM Radio – (the last chosen frequency will appear)

BLUE – Use this mode for Bluetooth™ selection

Playback from USB Device or SD/MMC Card

Inserting a USB memory device into the USB connector or SD/MMC card into the SD/MMC card slot will automatically load up and begin playback of mp3 or wma audio tracks stored on the media.

If playback does not start, press the Play/Pause button (11) or remove the memory device and check that the stored files are the correct compressed audio format before re-connecting.

PLAY/PAUSE (11) will alternately play or pause the selected track

PREVIOUS TRACK (10) will step backwards through tracks

Holding the PREVIOUS TRACK button will reverse seek through the current track

NEXT TRACK (12) will step forwards through tracks

Holding the NEXT TRACK button will forward seek through the current track

USB/SD (9) will toggle between USB or SD/MMC card media playback

REPEAT (8) will select between repeating **ONE** track or **ALL** tracks

FM Tuner

In FM tuner mode, the station frequency (in MHz) will be displayed.
For initial setup, press PLAY/PAUSE to begin the auto-tuning process.

The tuner will seek through all frequencies for strong signal reception (i.e. radio stations)
These will be stored into memory as **PO 1, PO2, PO3, PO4**... etc.

Stored stations can then be selected using the PREVIOUS or NEXT buttons

Note: Pressing PLAY/PAUSE during auto-tune will allow manual tuning via PREVIOUS/NEXT

Bluetooth™ Connection

Select '**BLUE**' using the mode button (9). The Bluetooth™ symbol will be flashing if it is NOT paired with an audio device.

Scan for Bluetooth™ devices on your phone or other Bluetooth enabled audio player and check for a device called 'bt-speaker'. Select this device and opt to connect your Bluetooth device, which should then state that it is connected to "bt-speaker" for audio output.

The Bluetooth™ symbol on the Busker-10 unit should stop flashing to confirm the connection.

Play audio from your Bluetooth™ device and check for output through the Busker-10 unit.

If there is no output, check if there is more than one device within range called "busker-pa"

In the eventuality that more than one device is called "busker-pa", try each device in turn until the Busker-10 is found. Check also that the volume level is turned up on the sending device.

Once audio is playing through the Busker-10 from Bluetooth, adjust the MEDIA volume control (7) to the required volume.

Bluetooth on the Busker-10 can only pair to a single device at any one time and should be operable over a range of 5 to 8 metres.

Specifications

Power supply	230Vac, 50Hz (IEC) or external 12Vdc
Battery type	12V 7Ah rechargeable sealed lead-acid
Battery life	Up to 6 hours
Recharge time	8 hours
Controls : front panel	VHF mic volume(s), Media volume, Media transport controls
Controls : rear panel	Guitar volume, Echo, Wired mic volume, Bass, Treble, Master
Inputs	2 wired mic (jack), instrument (jack), aux (RCA & 3.5mm)
Line output	RCA
Bluetooth version	2.3
Output power	60W
Frequency response	50Hz - 18kHz
SPL @ 1W/1m	92dB
Main driver	250mmØ (10")
Impedance : loudspeaker	4 Ohms
HF driver : type	Compression driver
Wireless mic frequency	174.1MHz
Dimensions	525 x 330 x 290mm
Weight	9.45kg

Troubleshooting

No output and no LEDs lit	Check POWER switch is on
	Check battery is not drained fully
	Check mains lead is connected
	Check mains or D.C. fuse hasn't blown
Power LED lit but no VHF output	Check 9V batteries in wireless transmitters
	Check wireless transmitter is switched on
	Check that handheld transmitter is not switched to MUTE
	Check VHF VOLUME is not turned down
	Check RF LED for radio signal
Music level cutting out	Check TALKOVER is not switched on (will mute on mic. signal)
Power LED lit but no media player output	Check USB/SD/MMC has mp3 or wma audio file format
	Check MEDIA VOLUME is not turned down
No Bluetooth output	Check volume output level on sending device
	Check sending device is connected to the receiver correctly
No sound from external inputs	Check leads are OK and connected properly
	Check MASTER, GUITAR or MIC VOL controls are turned up



Disposal: The "Crossed Wheelie Bin" symbol on the product means that the product is classed as Electrical or Electronic equipment and should not be disposed with other household or commercial waste at the end of its useful life. The goods must be disposed of according to your local council guidelines.

Hereby, AVSL Group Ltd. declares that the radio equipment type 178.864UK is in compliance with [Directive 2014/53/EU](#)

The full text of the EU declaration of conformity is available at the following internet address:
<http://www.avsl.com/assets/exportdoc/1/7/178864UK%20CE.pdf>

Errors and omissions excepted. Copyright© 2021.

*AVSL Group Ltd. Unit 2-4 Bridgewater Park, Taylor Rd. Manchester. M41 7JQ
 AVSL (EUROPE) Ltd, Unit 3D North Point House, North Point Business Park, New Mallow Road, Cork, Ireland.*