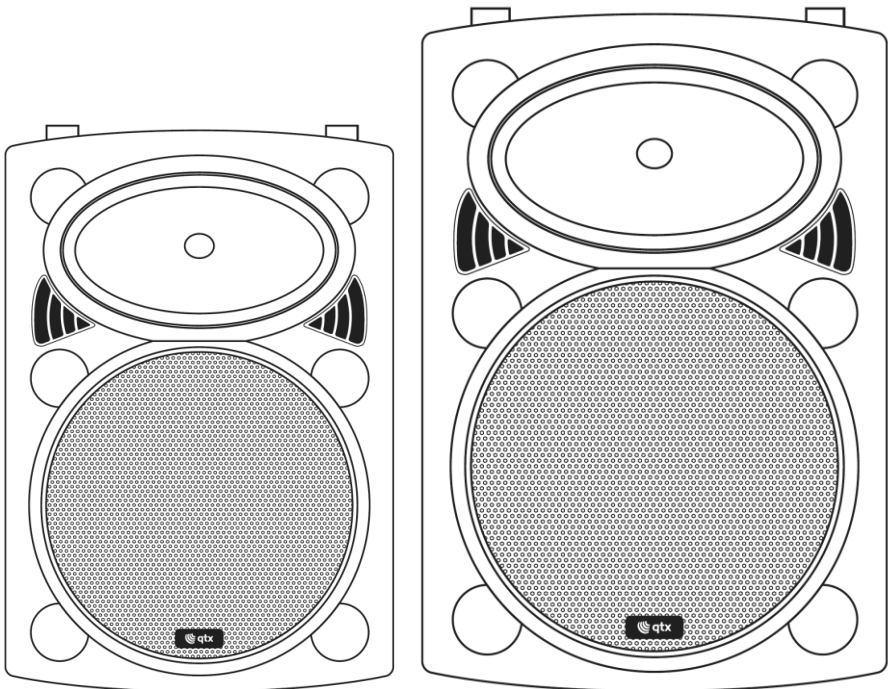


QRPA

Portable PA Units

Order ref: QR12PA (178.843UK)
QR15PA (178.846UK)

User Manual



VERSION 5.1



Caution: Please read this manual carefully before operating
Damage caused by misuse is not covered by the warranty

Introduction

Thank you for choosing the QR series portable PA unit. Please read this manual prior to use to avoid damage to the item.

This versatile portable PA unit is packed with features in a compact, manageable enclosure and is suitable for a wide array of applications ranging from public address for presentations to outdoor karaoke.

Package Contents

Please check the contents to ensure that the product has been received in good condition.

- QRPA portable PA unit
- 2 x VHF handheld microphones
- Mains power lead
- IR Remote control for media player
- User manual

If you find any accessory is missing or the product has arrived with any problems, please contact your retailer at once.

This product contains no user-serviceable parts so make no attempt to try to fix or modify this item yourself as this will invalidate the warranty. We recommend you keep the original package and proof of purchase for any possible replacement or returned demand.

Warning

To prevent the risk of fire or electric shock, do not expose this appliance to rain or moisture. To prevent electric shock do not remove the cover. No user serviceable parts inside. Refer servicing to qualified service personnel.

Safety

Prior to connecting mains, ensure that the supply voltage is correct and the mains lead is in good condition.

Avoid ingress of water or particles into the enclosure.

If the mains or D.C. fuse blows, refer the unit to qualified service personnel

If the VHF microphones are to be unused for a long period of time, remove the batteries and store for later use.

Placement

Keep the unit out of direct sunlight and away from heat sources.

Place the unit in an upright position during use and storage.

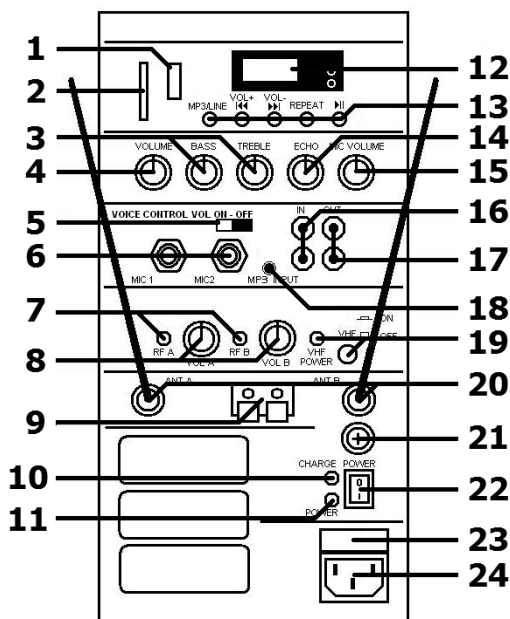
Keep the unit away from moisture or dusty environments.

Cleaning

Use a soft cloth with a neutral detergent to clean the cabinet, panel and controls.

To avoid damage, do not use solvents to clean this equipment.

Rear Panel Layout



1. USB input
2. SD card slot
3. 2-band EQ controls (BASS + TREBLE)
4. Music volume control
5. VCV voice controlled volume switch
6. 6.3mm jack microphone inputs
7. Radio Frequency indicators (VHF carriers)
8. Wireless microphone volume controls
9. External 12Vdc power input
10. Charging indicator
11. Mains power indicator
12. Media player LCD display
13. Media player mode/transport controls
14. Microphone Echo level control
15. Microphone inputs volume control
16. AUX line input
17. Line output
18. 3.5mm line input
19. VHF receiver power switch & LED
20. VHF microphones antennae
21. D.C. power fuse
22. Power switch
23. Mains fuse holder
24. IEC mains inlet (12Vdc in for QR10PA)

Connection

Your new QTX QR-series portable PA unit may arrive with you with the internal battery charged. Before connecting to the mains, switch the unit on and check the POWER LED. If it is green, there is charge in the battery. If it is red, then you will need to charge the battery before using away from a mains supply (see **“Charging the battery”** below)

Connect the QR-series portable PA unit to the mains using the appropriate mains IEC lead supplied. You may otherwise opt to connect the spring terminals at the rear to an external 12Vdc supply, such as a car battery, or use the internal battery if charged.

Power Up

Turn the VOLUME, ECHO and MIC VOLUME controls down (anti-clockwise) and turn the POWER switch on (the power LED should light).

BASS and TREBLE controls should remain pointing vertically (12-o-clock position).

Switch VCV (voice controlled volume) off.

Your QR-series PA unit should now be ready to operate.

VHF Wireless Microphones

For QR12PA and QR15PA, insert the supplied 9V batteries into the handheld microphones by carefully unscrewing the base of each and connecting the "+" and "-" terminals or the battery to the corresponding clips inside the microphone body, taking care to observe the correct polarity.

For QR10PA, connect the neckband microphone to the bodypack, slide open the bodypack and insert the supplied 9V battery, again observing the correct polarity.
Connect the antennae to the connectors at the rear and extend them fully at an angle.

With the VOL A and VOL B controls turned down, press the VHF ON/OFF button in so that the VHF POWER LED lights.

Switch on each wireless mic in turn – the RF LEDs should light as a result.

If the LED on the transmitter lights dimly, change the battery.

Gradually increase VOL controls, testing each microphone in turn for output through the speaker.

Take care not to incur "feedback" (howling or screeching sound through the speaker) by keeping the microphone a sensible distance from the speaker and pointing away from the speaker so that it doesn't "hear" the speaker output.

Turning the ECHO control clockwise introduces a pre-set echo function for singing and special effects. BASS and TREBLE can be cut by turning anti-clockwise or boosted by turning clockwise.

When not in use, switch the wireless microphones off.

External Inputs

In addition to the unit's own VHF microphones, 6.3mm jack inputs are provided to connect external wired or wireless microphones, which are both governed by the MIC VOLUME control.

If required, the music level can be automatically muted when speaking into a microphone by switching the VCV on.

Also, twin RCA and 3.5mm jack input are provided for line input sources such as CD player or ipod. To use these, set the MODE switch on the USB/SD player to "LINE IN"

Adjacent to this twin RCA input is a twin RCA line output carrying the overall main mix.

The AUX is governed by the VOLUME control at the top of the panel.

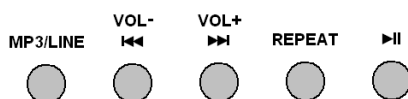
Internal USB/SD player

Insert a USB memory stick or an SD card with mp3 or wma media stored on it into the relevant slot on the rear panel.

If the LCD display reads "LINE IN", press the MP3/LINE button and check that the LCD display shows that media is being read from the USB or SD device. If not, press the ">II" button or try removing and re-inserting the memory device.

Increasing the VOLUME control should result in the media being played through the speaker.

Panel controls are detailed below...



"MP3/LINE"

"VOL -"

"I<<"

"VOL +"

">>I"

"REPEAT"

">II"

switches music input between internal USB/SD player and AUX input

press and hold to decrease volume

momentary press for previous track

press and hold to increase volume

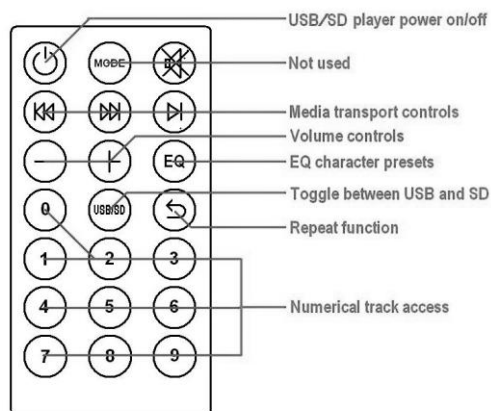
momentary press for next track

toggle between repeating all, single or no tracks

Play / pause track

In addition to the panel controls, an infra-red remote control is provided for the USB/SD player which adds some further functions to allow greater control over the media player.

To operate, remove the clear plastic tab from the remote to activate the battery.



Charging the battery

When not in use but connected to the mains, if the POWER switch is in the *off* position, the internal battery will be re-charged from the mains supply. When charging, the CHARGE LED which will light orange when charging. When fully charged, the CHARGE LED will light green.

Note: it is recommended to store the PA unit at an ambient temperature and not with the battery fully discharged.

Specifications

Model	QR12PA	QR15PA
Power supply	220-240Vac 50/60Hz / external 12Vdc / internal battery	
Main driver	30cm (12")	38cm (15")
HF unit	2.5cm (1") titanium compression driver	
VHF mic frequencies	174.1MHz + 175.0MHz	
Output power	50W + 50W (LF + HF)	
Battery life	Up to 8 hours	
Dimensions	570 x 350 x 310mm	685 x 440 x 380mm
Weight	14.0kg	18.4kg

Troubleshooting

No output and no LEDs lit	Check POWER switch is on
	Check battery is not drained fully
	Check mains lead is connected
	Check mains or D.C. fuse hasn't blown
Power LED lit but no VHF output	Check 9V batteries in wireless transmitters
	Check wireless transmitters are switched on
	Check VHF POWER is switched on
	Check MIC VOLUME is not turned down
	Check RF A and RF B LEDs for radio signal
Music level off/cutting out	Check that VCV is not switched on (will mute upon mic. signal)
Power LED lit but no USB/SD player output	Check USB or SD has correct audio files on
	Check USB or SD is connected properly
	Press MP3/LINE button and try >II button
	Check VOLUME is not turned down
	Press and hold "VOL +" button
	Check LCD display to see moving numbers
Power LED lit but no sound from external inputs	Check leads are OK and connected properly
	Check volume and on/off switch on external mic or line source
	Check VOLUME or MIC VOLUME control is not fully down
	Does "LINE IN" show on LCD for AUX input? (Press MP3/LINE)



Disposal: The "Crossed Wheelie Bin" symbol on the product means that the product is classed as Electrical or Electronic equipment and should not be disposed with other household or commercial waste at the end of its useful life. The goods must be disposed of according to your local council guidelines.

Hereby, AVSL Group Ltd. declares that the radio equipment type 178.843UK and 178.846UK are in compliance with [Directive 2014/53/EU](#)

The full text of the EU declaration of conformity for 178.843UK is available at the following internet address:

<http://www.avsl.com/assets/exportdoc/1/7/178843UK%20CE.pdf>

The full text of the EU declaration of conformity for 178.846UK is available at the following internet address:

<http://www.avsl.com/assets/exportdoc/1/7/178846UK%20CE.pdf>

Errors and omissions excepted. Copyright© 2021.

AVSL Group Ltd. Unit 2-4 Bridgewater Park, Taylor Rd. Manchester. M41 7JQ

AVSL (EUROPE) Ltd, Unit 3D North Point House, North Point Business Park, New Mallow Road, Cork, Ireland