

CX-8086

SPEAKER CABINET

Order ref: 170.350, 170.351

User Manual



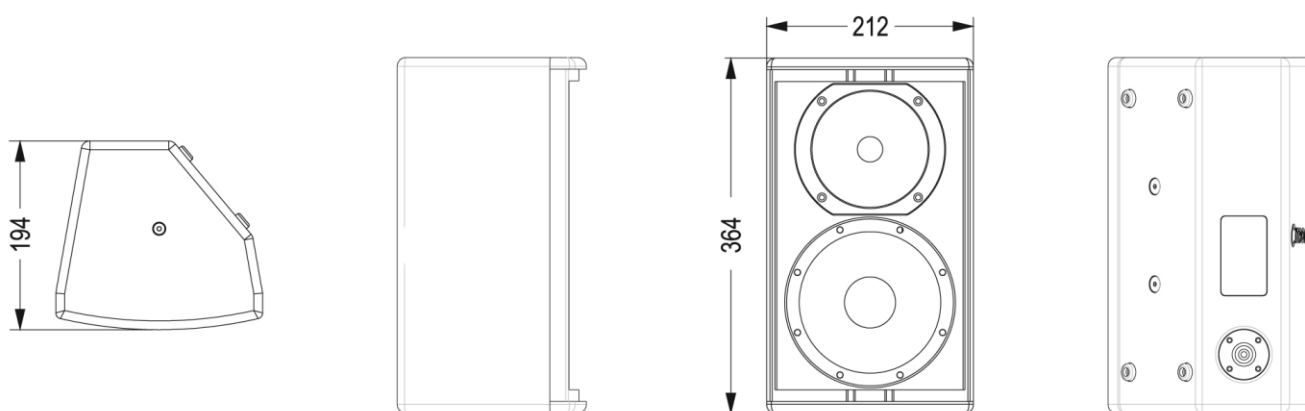
Pair of speaker enclosures made from premium Russian ply with multi-angle design for arraying and wedge monitoring. Surface mount via the included bracket or flying points afford convenient installation in bars, restaurants, meeting rooms. Custom designed drivers project full range output with a wide dispersion for excellent coverage to listeners.

- Full range 2-way enclosure
- Powder-coated steel grille
- Computer designed for optimal efficiency
- Wide 140° x 140° dispersion
- Supplied in pairs with wall-mount brackets
- Available in durable black or white finish
- Multi-angle cabinets for monitoring or arraying

Specifications

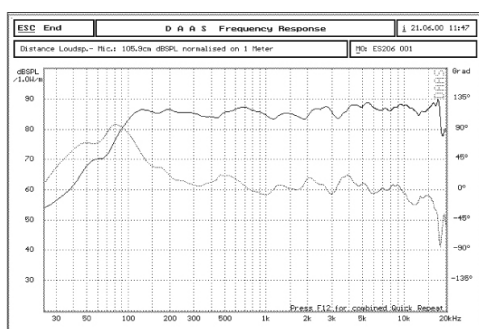
Power RMS	80W
Power Max	160W (5 minutes max)
LF driver	150mmØ (6")
HF driver	Compression driver with 25mmØ titanium diaphragm
Impedance	8Ω
Frequency response (-3dB)	80Hz - 18KHz
Sensitivity (1W/1m)	90dB
Dispersion (H x V)	140° x 140°
Connector	1 x Speakon® (NL 4)
Dimensions	212 x 194 x 364mm
Weight	6kg

Technical drawings

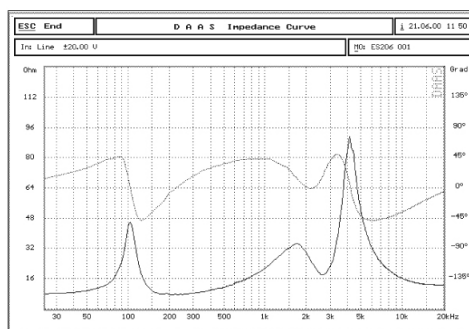


Technical Diagrams

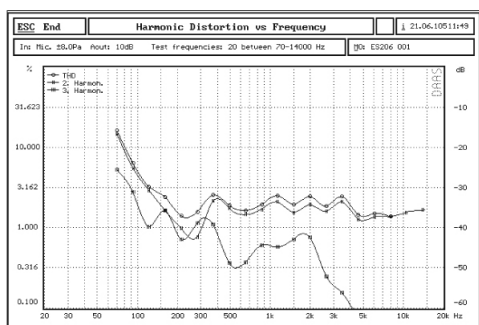
Frequency response - Magnitude



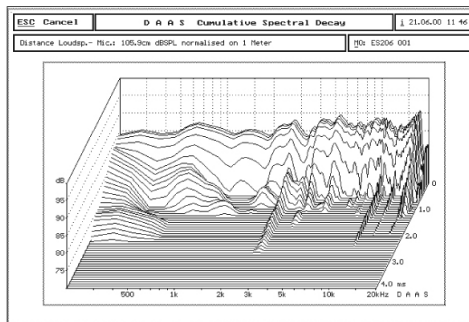
Impedance - Magnitude



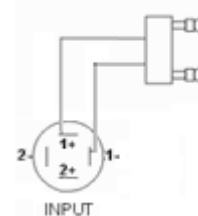
Distortion - Magnitude



Waterfall - Magnitude



Connection



Errors and omissions excepted.
Copyright© 2012. AVSL Group Ltd.