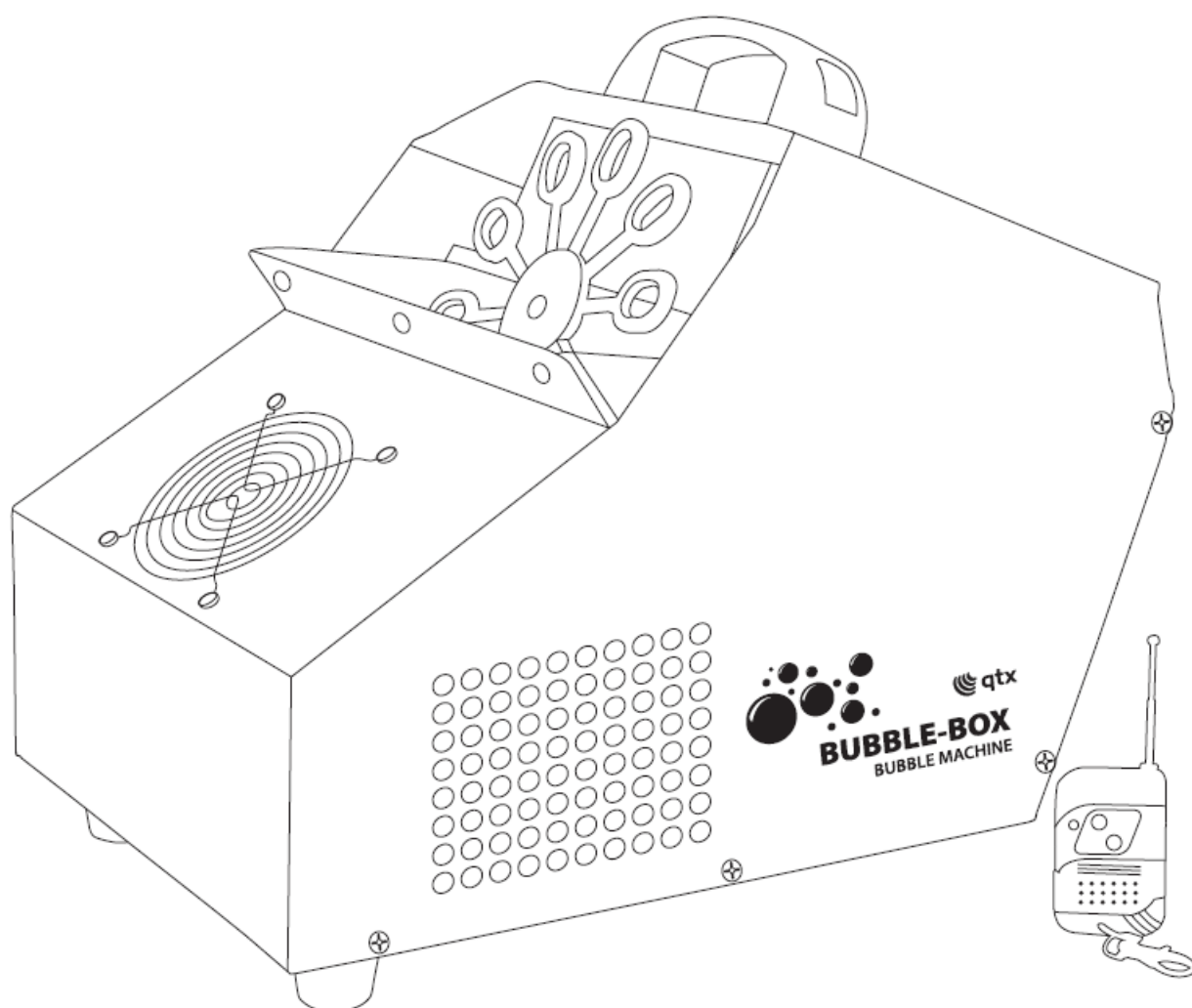


# BUBBLE-BOX

Bubble Machine

Item ref: 160.550UK

User Manual





Caution: Please read this manual carefully before operating  
Damage caused by misuse is not covered by the warranty

## Introduction

Thank you for choosing the BUBBLE-BOX bubble machine as part of your stage effects setup. This machine is a high output, compact model and will provide consistent large area coverage. Please read and keep this manual to ensure maximum performance and avoid damage through misuse.

## Unpacking

Your BUBBLE-BOX should reach you in good condition and should be supplied with IEC mains lead(s) and wired & wireless remote controls. If there are any signs of damage or items missing from the packaging, contact your dealer immediately.

## Warning

To prevent risk of fire or electric shock, do not expose electrical parts to rain or moisture. If liquids are spilled on the housing or through the vents, disconnect the mains, allow the BUBBLE-BOX to dry out and have it checked by qualified personnel before further use. Avoid any impact, dropping or extreme pressure to the housing. No user serviceable parts inside - do not open the case. Refer all servicing to qualified service personnel.

## Placement

The BUBBLE-BOX has an open front fluid tank and should be operated in an upright position. Choose a position where the bubble output is facing the area to be filled. Ensure easy access to the rear panel and to the bubble fluid tank for refilling and cleaning. When moving the unit around, take care not to spill the contents of the tank inside the machine.

## Safety

- Check for correct mains voltage and condition of IEC lead before connecting to power outlet
- Check the condition of the remote lead and ensure that it is not trapped
- This unit must be earthed

## Cleaning

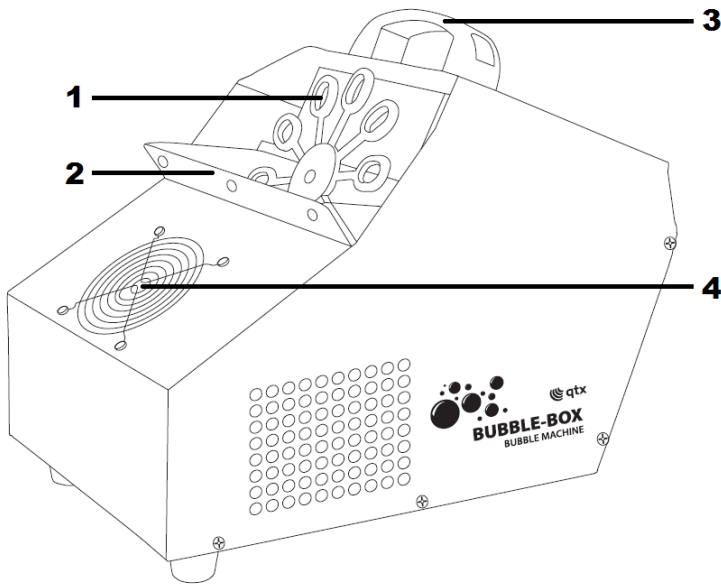
- Use a soft dry or slightly damp cloth to clean the casing
- Do not use strong solvents for cleaning the unit
- Empty contents and rinse the bubble fluid tanks after each use

## Setting up

The BUBBLE-BOX requires bubble fluid to produce the effect. It is recommended to use qtx bubble fluid for best results (160.574UK, 160.575UK) For bubbles that glow in UV light, qtx UV bubble fluid may be used (160.576UK, 160.577UK) A chart for recommended fluids is also provided.

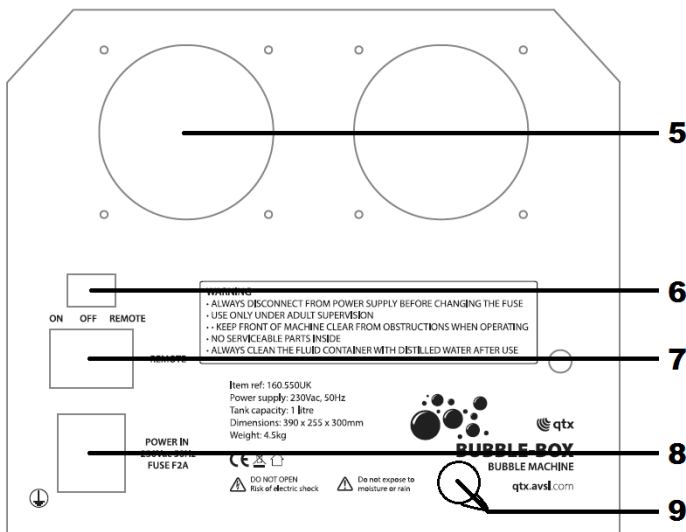
- Pour bubble fluid directly into the front open tank, taking care not to spill on fans beneath the tank
- Connect the supplied remote control to the female IEC on the rear panel
- Connect the IEC mains plug

## Layout



1. Bubble wand
2. Tank (pour fluid in here)
3. Carry handle
4. Front fan vent

## Rear panel



5. Rear fan vents
6. ON/OFF/REMOTE Switch
7. Remote Socket
8. IEC Power Socket
9. Fluid drain tap

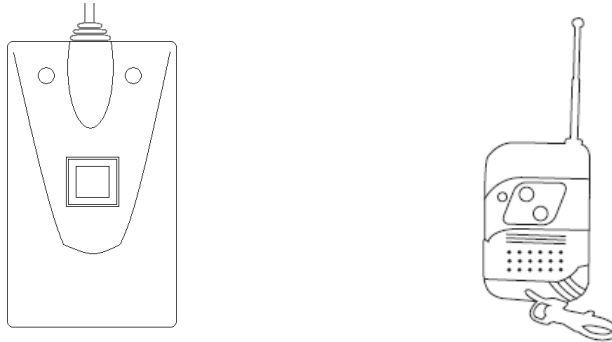
## Operation

The BUBBLE-BOX is operated by a 3-position rocker switch. The centre position is off. Press this switch to the left for constant bubble output. Press this switch to the right for remote control of the bubble effect. In this mode, bubbles are only produced when the switch on the remote control is pressed.

After use, switch off the machine and disconnect from the mains. Drain the remaining fluid via the drain tap at the rear of the unit. Rinse the bubble fluid tank with clean water and drain this also, then close the tap.

## Remote control

The BUBBLE-BOX is supplied with a choice of wired remote control or wireless receiver with keyfob remote. Select which method is to be used and connect to the REMOTE socket (7) on the rear panel. Press to switch wand rotation on or off. For wireless remote, the keyfob should have a 12V battery installed.



## Replacing the fuse

Disconnect from the main power supply first, then remove the fuse holder part of the IEC Socket to reveal the fuse. Replace the correct fuse rating as stated on the fixture safety label or in the user guide. Lock the fuse holder cover back into place.

## General maintenance

To maintain optimum performance and minimize wear, the item should be cleaned frequently. Usage and environment are contributing factors in determining frequency. As a rule, fixtures should be cleaned after each use to avoid dust build-up and blockages, which can result in poor performances, overheating and breakages. Be sure to power off fixture before conducting maintenance.

Unplug fixture from power. Use a vacuum or air compressor and a soft brush to remove dust collected on external vents and internal components. Clean the external case when the fixture is cold with a dry cloth or tissue, and drag dirt and grime to the outside case.

To ensure a continuing high performance it is recommended to use warm water to clean the internal tank.

## Specifications

Power supply	230Vac, 50Hz (IEC)
Power consumption	26W
Number of wheels	1
Number of wands per wheel	10
RPM	45 rpm
Fluid capacity	0.7m
Remote control frequency	433.92MHz
Dimensions	390 x 300 x 255mm
Weight	4.5kg



**Disposal:** The "Crossed Wheelie Bin" symbol on the product means that the product is classed as Electrical or Electronic equipment and should not be disposed with other household or commercial waste at the end of its useful life. The goods must be disposed of according to your local council guidelines

*Errors and omissions excepted.  
Copyright© 2017. AVSL Group Ltd.*